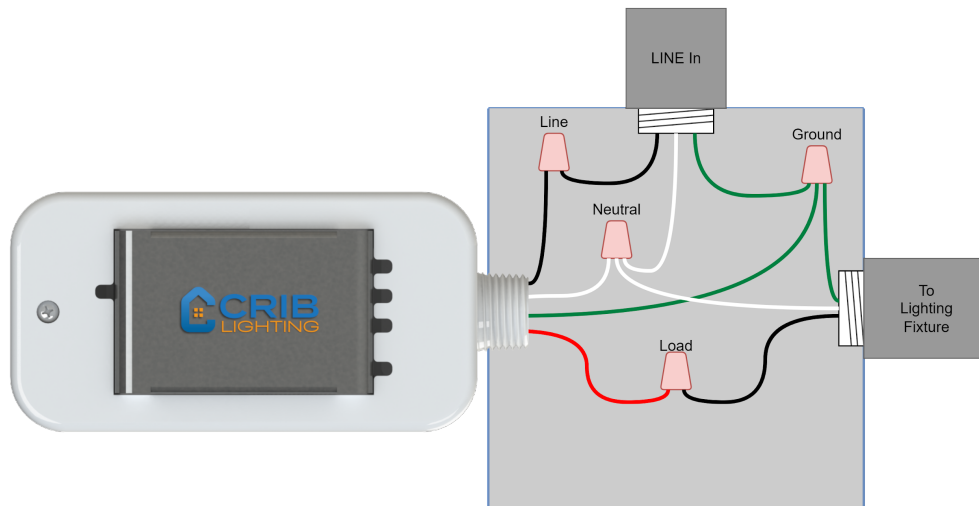


ULDC-T Installation Instructions

Electrical Installation Diagram



Installation Steps:

1. Turn power off for the lighting circuit that feeds the “LINE In” cable.
2. Connect green cable (GND) from the ULDC-T to ground wire on the line cable
3. Connect white cable (N) to AC Neutral
4. Connect black cable (L) to AC Line
5. Connect red cable (L) to fixture’s Line
6. Connect fixture’s Neutral to AC Neutral
7. Power back on